

FAG

**3202-BD-XL-2Z-TVH**

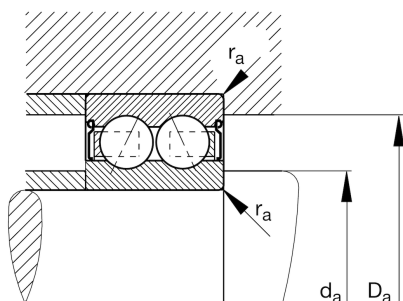
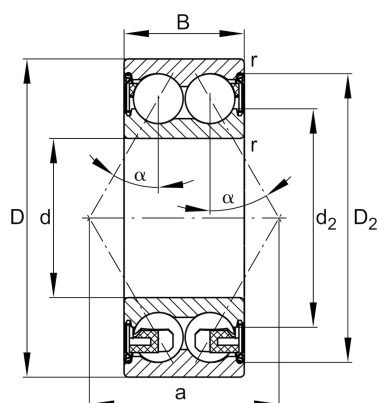
Angular contact ball bearing

Schaeffler ID:  
0647981780000

Angular contact ball bearing 32.-BD-XL-2Z-TVH, double row, X-life, shields, plastic cage

X-life

## Technical information

**Main Dimensions & Performance Data**

d	15 mm	Bore diameter
D	35 mm	Outside diameter
B	15,9 mm	Width
$C_r$	12.600 N	Basic dynamic load rating, radial
$C_{0r}$	7.400 N	Basic static load rating, radial
$C_{ur}$	520 N	Fatigue load limit, radial
$n_G$	16.700 1/min	Limiting speed
$n_{gr}$	18.500 1/min	Reference speed
	0,065 kg	Weight

**Dimensions**

$r_{min}$	0,6 mm	Minimum chamfer dimension
$D_2$	31,1 mm	Caliber diameter outer ring
$d_2$	21 mm	Caliber diameter inner ring
a	20,7 mm	Distance between the apexes of the pressure cones
$\alpha$	30 °	Contact angle

**Mounting dimensions**

$d_{a min}$	19,2 mm	Minimum diameter shaft shoulder
$D_{a max}$	30,8 mm	Maximum diameter of housing shoulder
$r_{a max}$	0,6 mm	Maximum fillet radius

**Temperature range**

$T_{min}$	-20 °C	Operating temperature min.
$T_{max}$	120 °C	Operating temperature max.